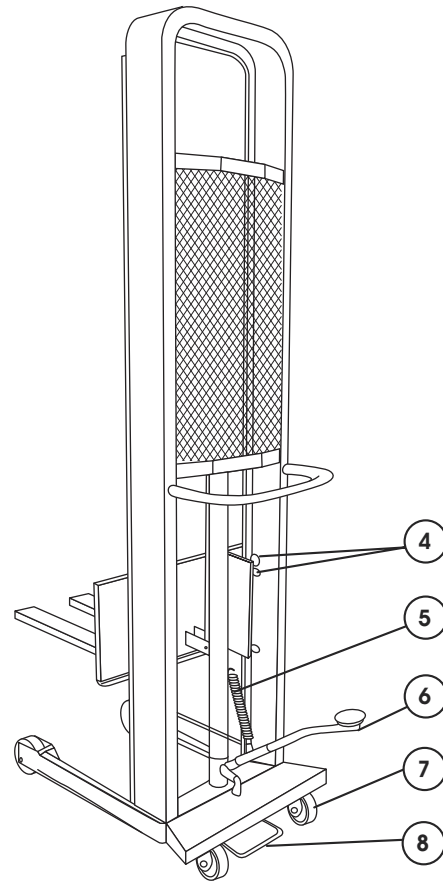
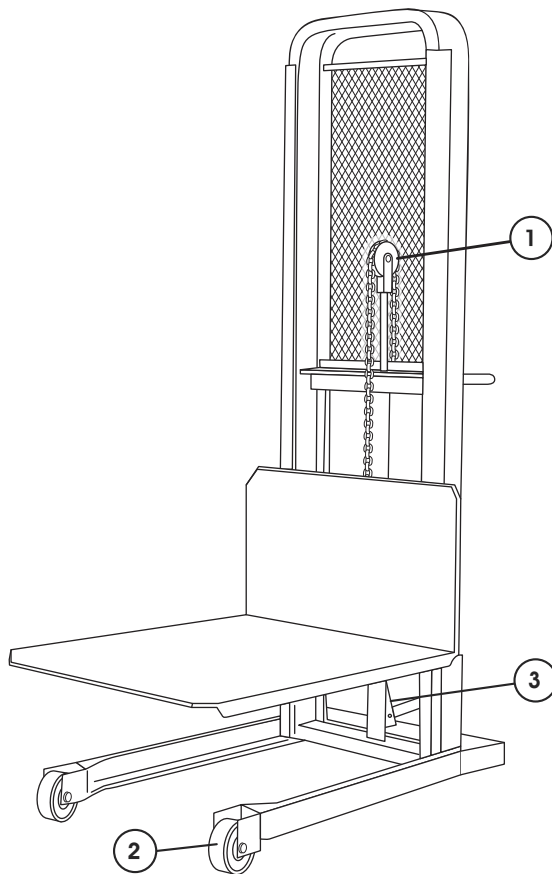
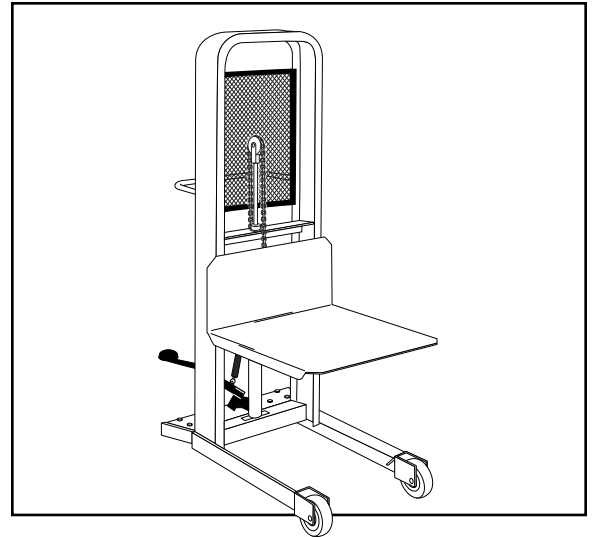


ULINE H-1819
HYDRAULIC STACKER

1-800-295-5510
uline.com



#	DESCRIPTION	QTY.	ULINE PART NO.	MFG. PART NO.
1	Chain Roller Assembly	1	-----	0584-VR
2	Rigid Phenolic Wheel	2	-----	C102PH
3	Cylinder Assembly	1	-----	M400**
4	Roller Kit	4	-----	C107
5	Return Spring	1	-----	M429
6	Foot Lever (pad M437)	1	-----	M436
7	Swivel Wheel Assembly	2	-----	C101PH2
8	Floor Lock	1	-----	C100