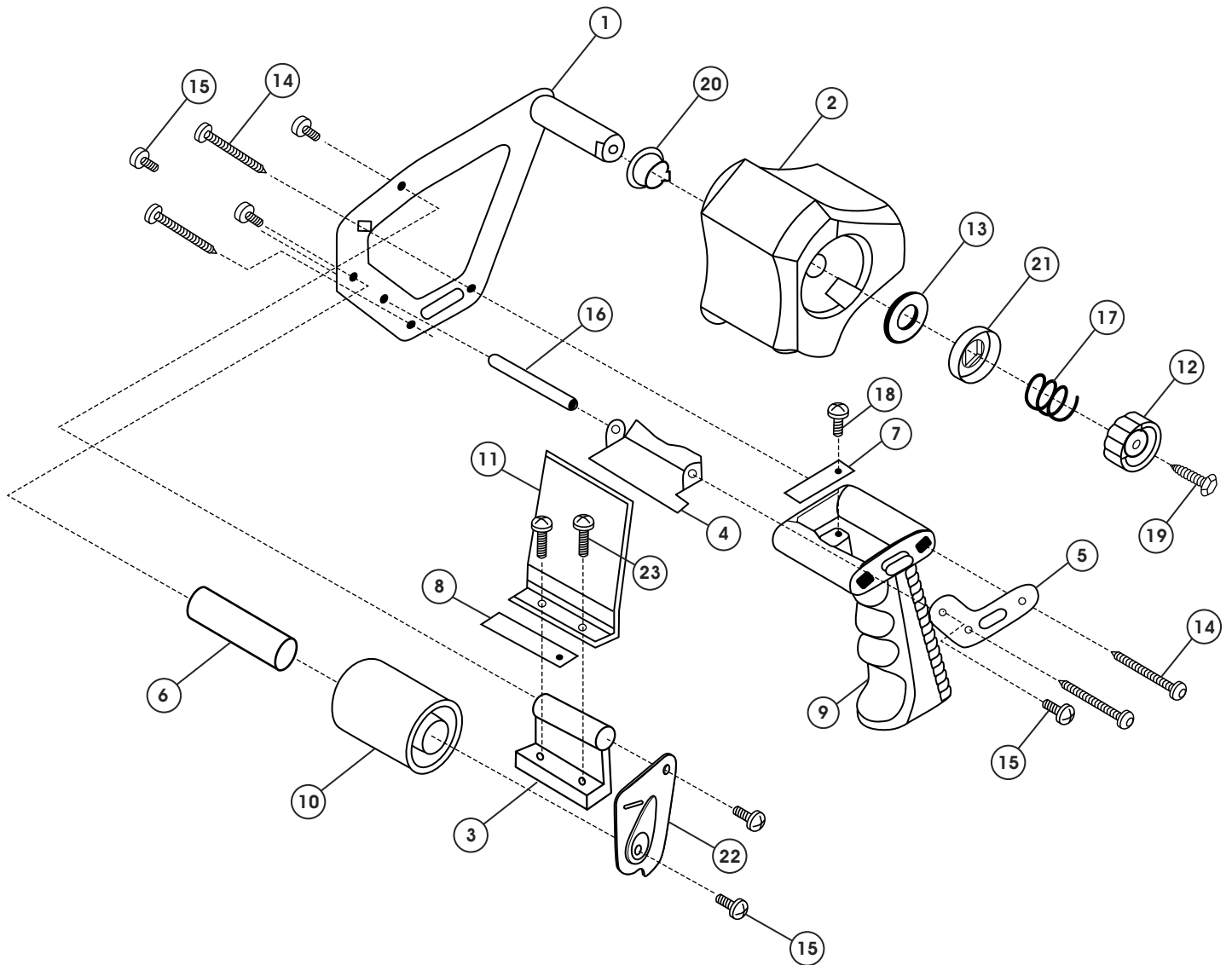
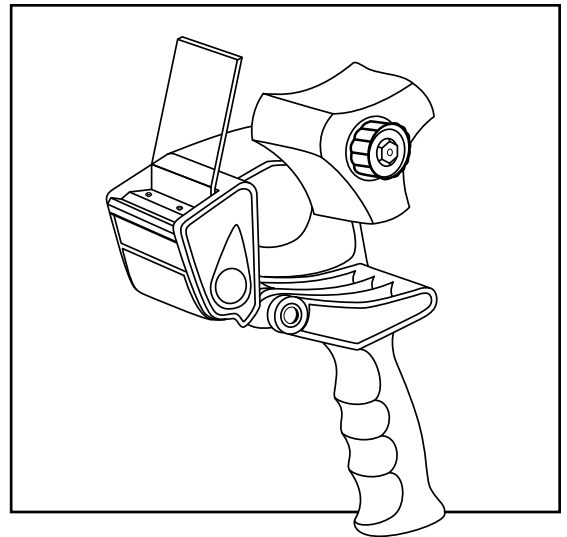


**ULINE** H-150  
2" INDUSTRIAL SIDE LOADER  
TAPE DISPENSER

1-800-295-5510  
uline.com



**ULINE** H-150  
**2" INDUSTRIAL SIDE LOADER**  
**TAPE DISPENSER**

1-800-295-5510  
 uline.com

#	DESCRIPTION	QTY.	ULINE PART NO.	MFG. PART NO.
1	Frame	1	-----	210301
2	Core	1	H-157C	023301
3	Wipe Down Blade Support	1	-----	210333
4	Metal Gate	1	H-324-6	210305
5	Support Bracket	1	-----	210303
6	Plastic Tube	1	-----	210311
7	Steel Spring	1	H-150SPR	210306
8	Blades	1	H-150B	213K
9	Handle	1	-----	210309
10	Roller	1	-----	-----
11	Wipe Down Blade	1	H-150WB	210313
12	Tensioner Knob	1	H-150TK	210315
13	Large Washers	1	H-150WW	210318
14	Screw For Support Bracket	4	-----	210319
15	Screw For Roller	4	-----	210321
16	Tube	1	-----	210322
17	Spring	1	H-324-210323	210323
18	Screw For Spring	1	H-150SCR	210334
19	Screw For Tensioner Knob	1	H-324-210325	210325
20	Plastic Bushing	1	-----	210331
21	Spring Cap	1	H-596-SPRCAP	210332
22	Metal Plate	1	-----	210302
23	Screw For Wide Down Blade	2	-----	220510