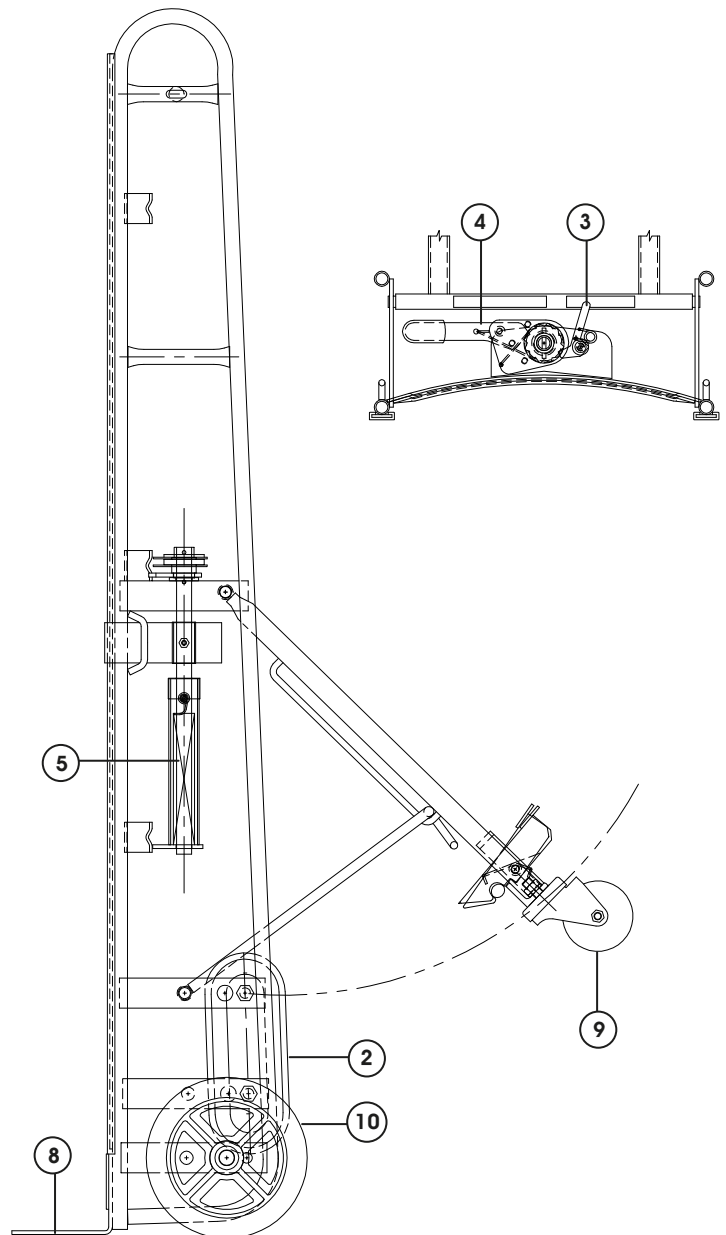
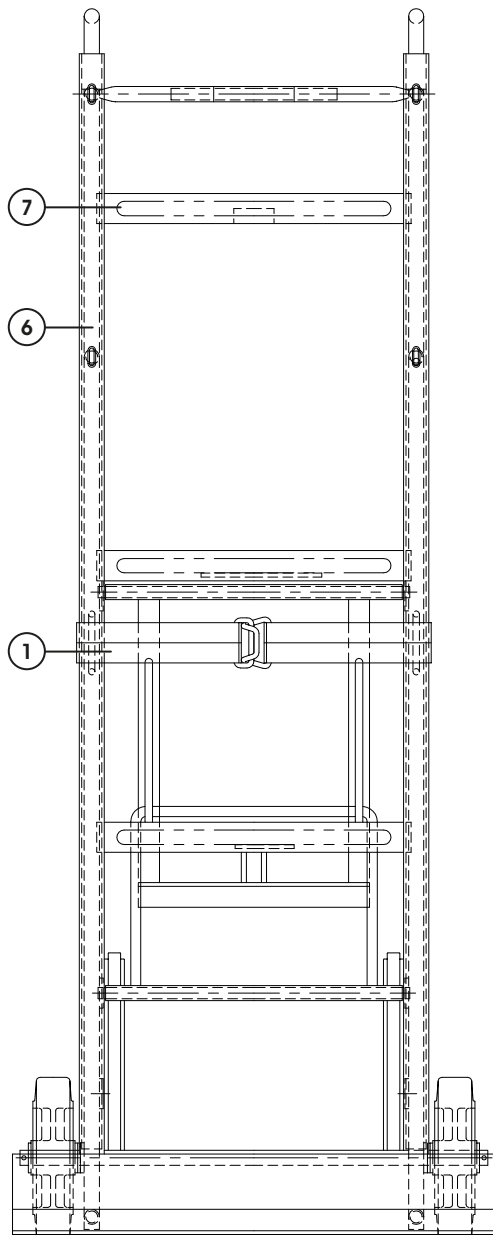
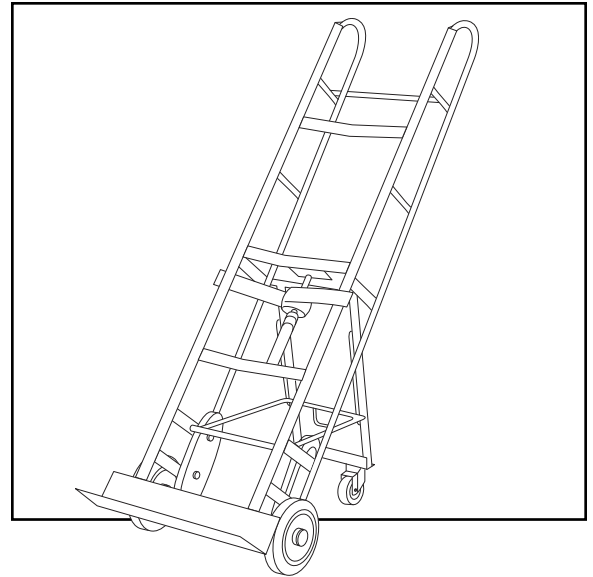


ULINE H-1387
APPLIANCE HAND TRUCK

1-800-295-5510
uline.com



ULINE H-1387
APPLIANCE HAND TRUCK

1-800-295-5510
 uline.com

#	DESCRIPTION	QTY.	ULINE PART NO.	MFG. PART NO.
1	Belt With A Front Clasp	1	H-1387-BELT	53120
2	Stair Climber	2	H-1387-GLIDE	150013
3	Holding Dog Assembly	1	-----	230050
4	Handle Spring	1	-----	151250
5	Auto Rewind Spring	1	H-1387-SPRNG	150921
6	Rubber Channel	2	-----	108458
7	Rubber Cross Brace	3	-----	109689
8	Nose Plate	1	-----	50414
9	Swivel Casters	2	H-1387-CSTR	108457
10	Wheels	2	H-1387-WHEEL	150120
	Auto-Rewind Ratchet (Not Shown)	1	-----	52910
	Ratchet Handle Assembly (Not Shown)	1	-----	52001
	Music Wire Spring	2	-----	108455