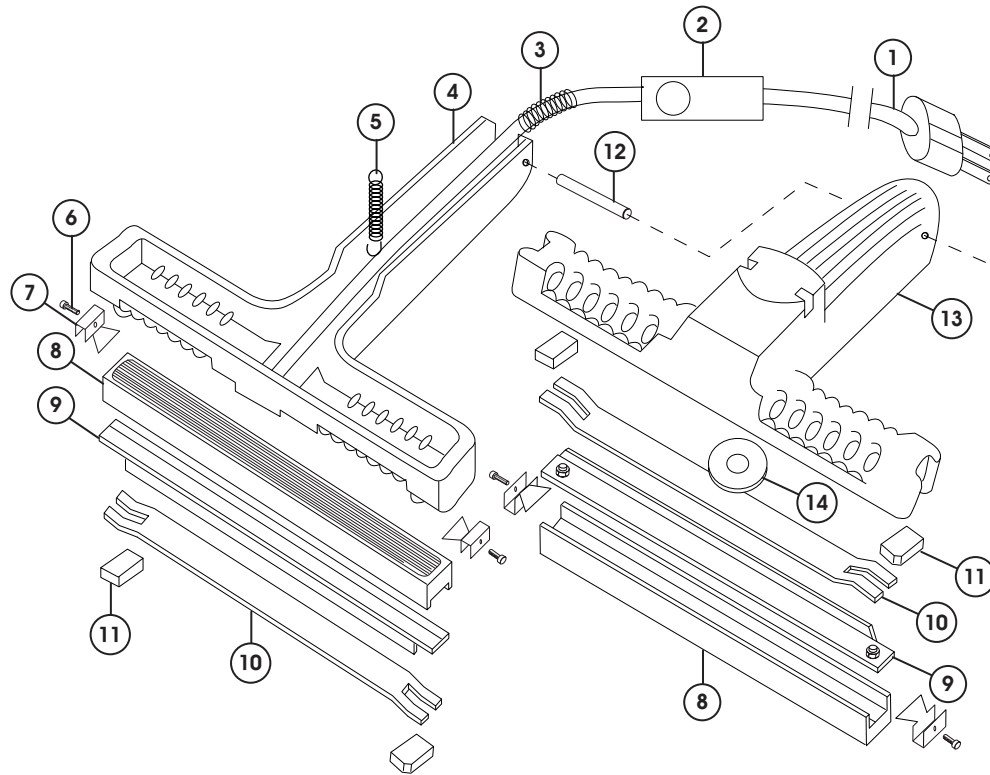
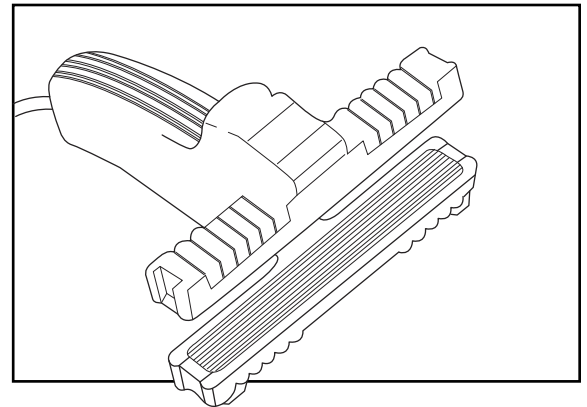


ULINE H-1069**6" CRIMPER
HAND SEALER**

1-800-295-5510

uline.com



| # | DESCRIPTION | QTY. | ULINE PART NO. | MFG. PART NO. |
|-----|---|------|----------------|---------------|
| 1 | Ac Cord | 1 | ----- | ----- |
| 2 | Power Switch, Temperature Controller | 1 | H-1069-POWER | ----- |
| 3 | Protected Spring | 1 | H-1069-SMSPR | ----- |
| 4 | Down Cover | 1 | ----- | ----- |
| 5 | Reverted Spring | 1 | H-1069-LGSPR | ----- |
| 6 | Fixed Screw | 4 | ----- | ----- |
| 7 | Side Fixed Plate | 4 | H-1069-CLIP | ----- |
| 8 | Top And Bottom Sealing Jaws | 1 | ----- | ----- |
| 9 | Heating Element | 2 | ----- | ----- |
| 10 | Heating Element Fixed Plate | 2 | ----- | ----- |
| 11 | Insulated Washer | 4 | ----- | ----- |
| 12 | Fixed Bolt | 1 | ----- | ----- |
| 13 | Upper Cover | 1 | H-1069CASE | ----- |
| 14 | Washer | 1 | ----- | ----- |
| KIT | Down And Upper Covers Set (Includes Parts 4 And 13) | 1 | H-1069-4 | ----- |
| KIT | Heating Element Assembly (Includes Parts 8 And 9) | 1 | H-1069-8-9 | 8AND9 |