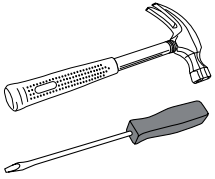


ULINES-9922, S-10719, S-12657
S-12658, S-14460, S-15189
S-15190

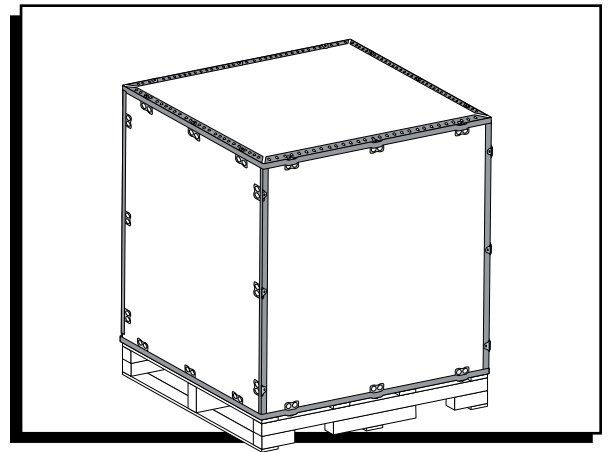
1-800-295-5510

uline.com

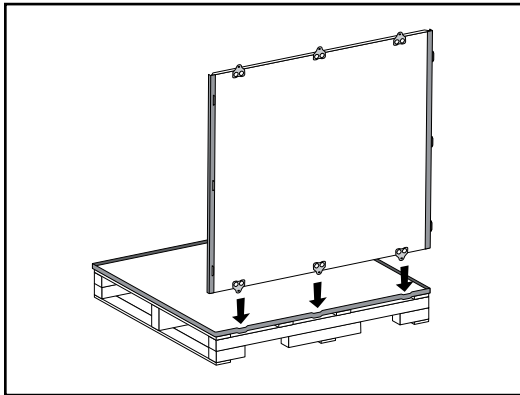
WOOD CRATES**TOOLS NEEDED**

Hammer

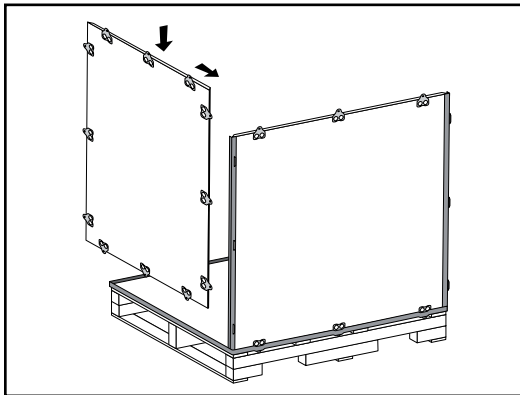
Screwdriver

**ASSEMBLY**

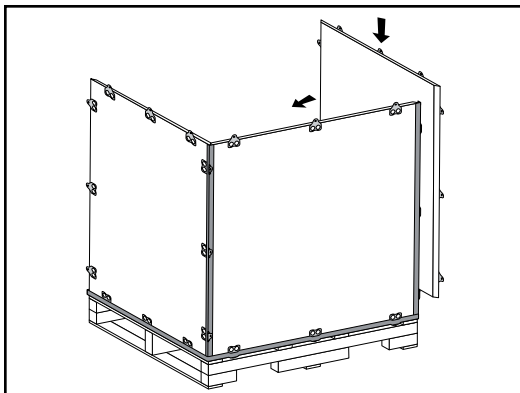
1. Place 1 long side into base.



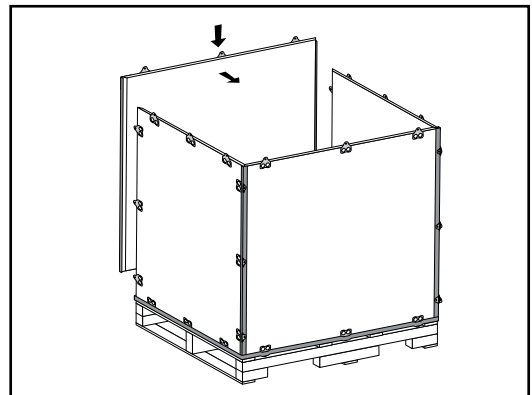
2. Secure 1 short panel into base and first long panel.



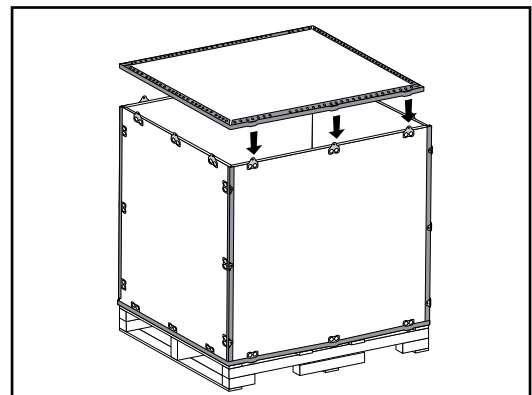
3. Attach second long panel.



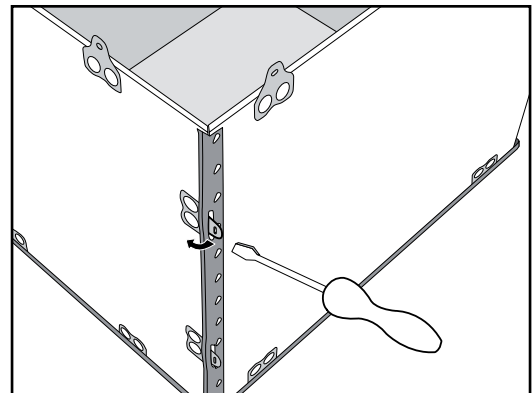
4. Attach final panel to base and 2 side panels.



5. Ensure all panels are level, then place lid on top.



6. Bend back all tabs using a screwdriver or a hammer.

**ULINE**

CHICAGO • ATLANTA • DALLAS • LOS ANGELES • MINNEAPOLIS • NYC/PHILA

1009 IS-9922