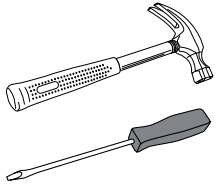
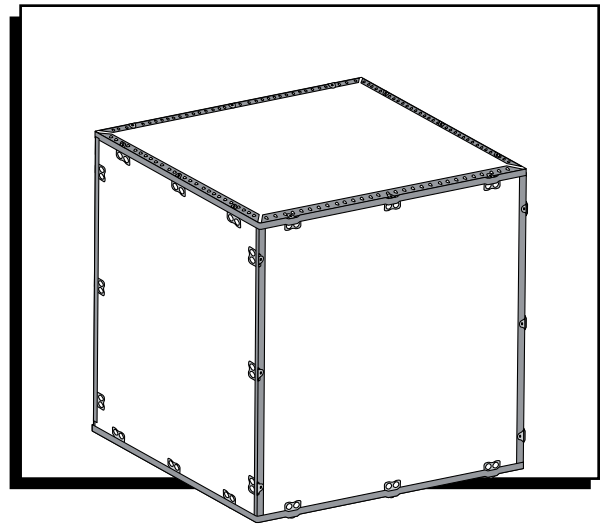


TOOLS NEEDED



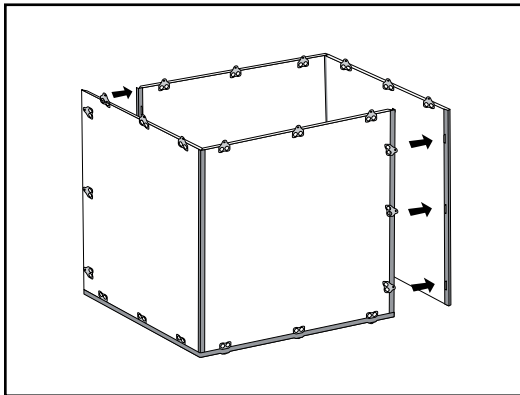
Hammer

Screwdriver

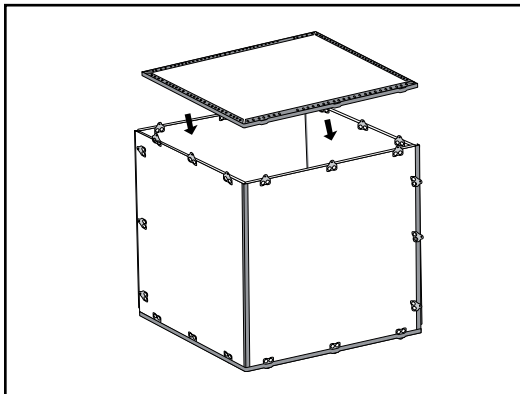


ASSEMBLY

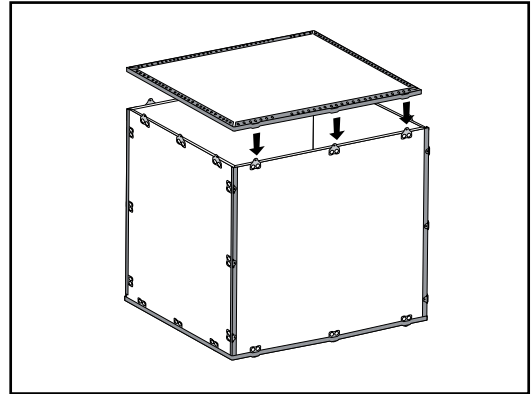
1. Unfold panel one and two. Secure them together.



2. Ensure all panels are level, then place base on top. Bend back all tabs using screwdriver or a hammer.



3. Flip crate over onto base. Ensure all panels are level, then place lid on top.



4. Bend back remaining tabs using screwdriver or a hammer.

