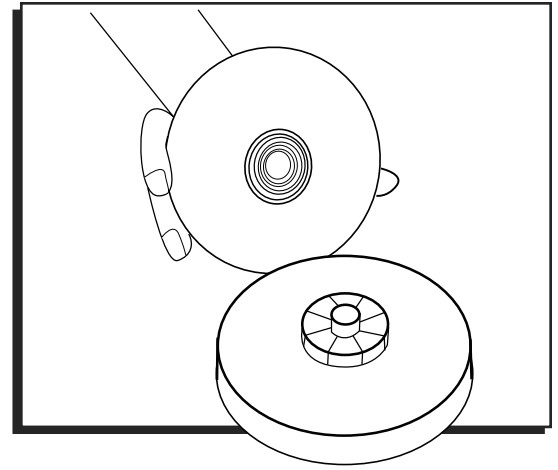


**ULINE S-8078**

**CD LABEL  
APPLICATOR**

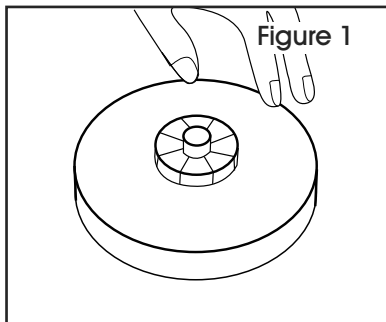
1-800-295-5510

uline.com

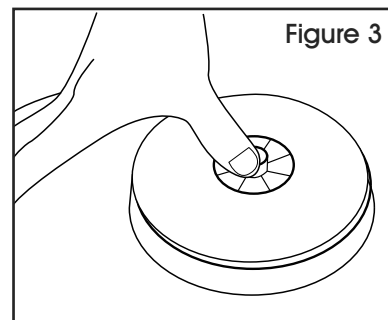


**INSTRUCTIONS**


1. Place printed label on base with sticky side up. Keep label as flat as possible. (See Figure 1)



3. Push down on the center post. Do not touch the CD. (See Figure 3)



2. Hold CD by the edges and place over the center post with data side up. (See Figure 2)

 **NOTE:** The data side has a raised ring around the clear center hole of the disk. The label side has a small grooved ring around the clear center hole of the disk. Both can be found by dragging your fingernail from the center hole outward.

4. Smooth out the label and the CD is complete.

