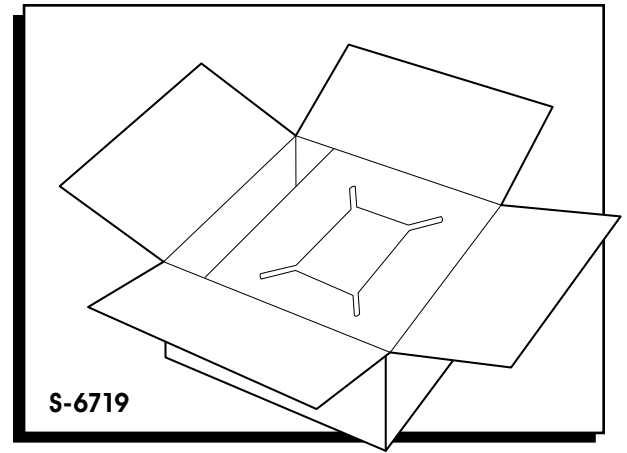


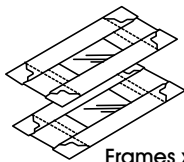
ULINES-6719,
S-12703**LAPTOP SYSTEM
SUSPENSION BOX KIT**

1-800-295-5510

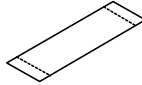
uline.com



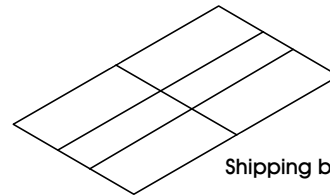
S-6719

PARTS INCLUDED

Frames x 2



Accessory pad x 1



Shipping box x 1

ASSEMBLY

1. Gently fold along the perforated sides and edges. Pull the long sides upward gently. Remove center piece. (See Figure 1)

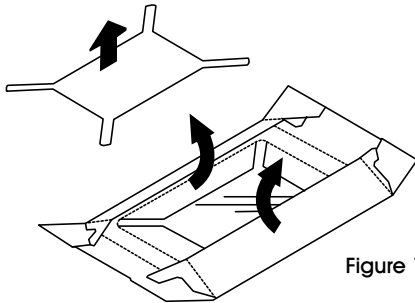


Figure 1

2. Fold panels completely upright. Hold panels together when inserting into box. (See Figure 2)
3. Repeat steps 1-2 for second frame.

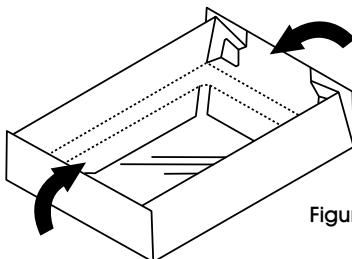


Figure 2

4. Place frame (C) film side up and accessory pad (D) into the box. (See Figure 3)
5. Place notebook computer (B) centered on film of frame (C). (See Figure 3)
6. Place frame (A) film side down onto notebook computer (B). (See Figure 3)

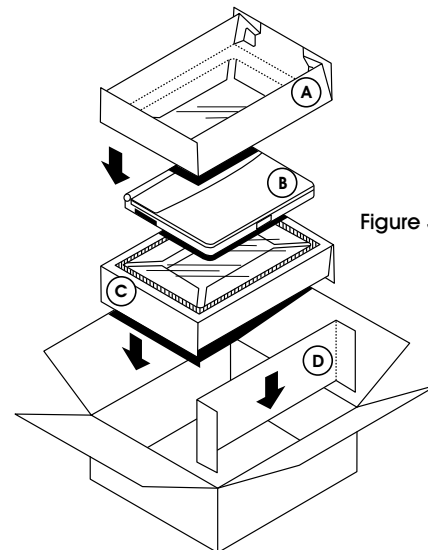
**NOTE: Computer must be compressed between film.**

Figure 3

ULINE

CHICAGO • ATLANTA • DALLAS • LOS ANGELES • MINNEAPOLIS • NYC/PHILA

1-800-295-5510

uline.com

0509 IS-6719