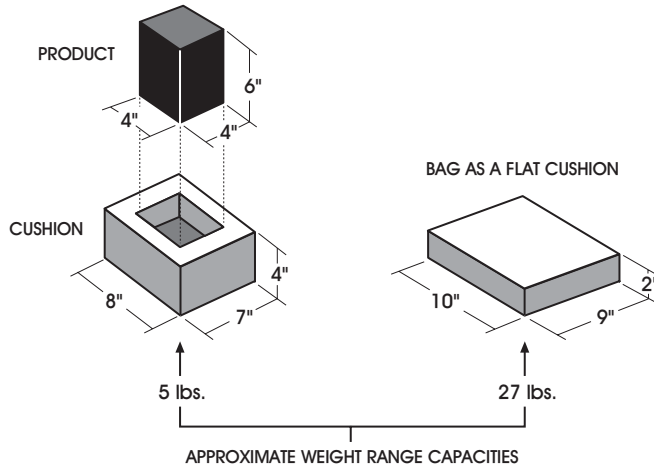
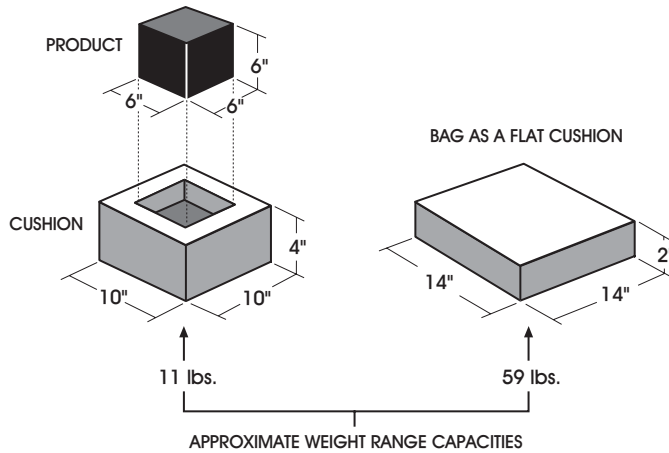
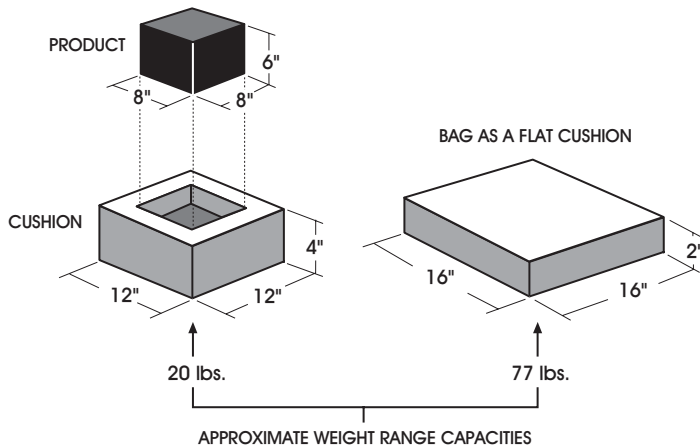
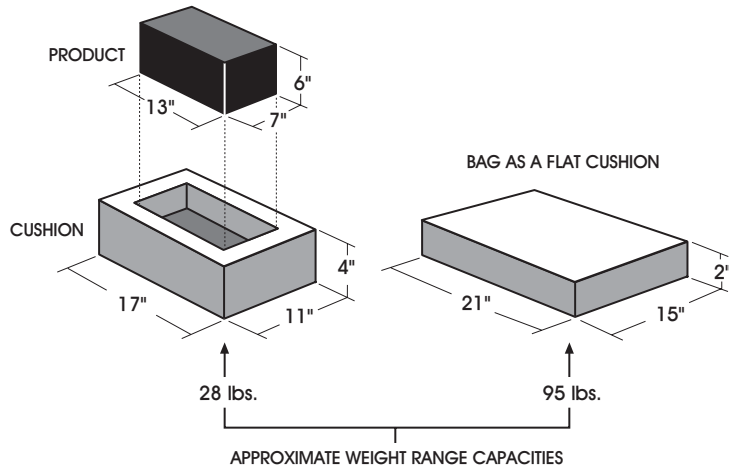


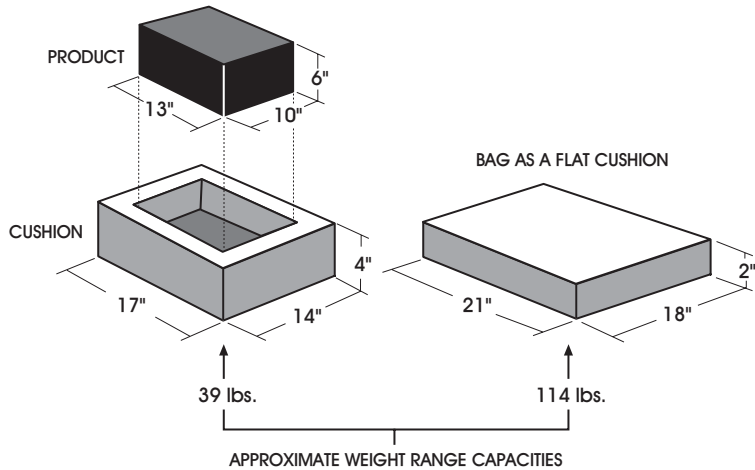
**BAG VOLUMETRIC GUIDE****S-6131**  
#10 BAG (15" X 18")**S-6132**  
#20 BAG (18" X 18")**S-6133**  
#40 BAG (18" X 24")

**BAG VOLUMETRIC GUIDE (CONTINUED)**

**S-6134**  
**#60 BAG (18" X 24")**  
(25% more foam than #40 bag)



**S-6135**  
**#80 BAG (20" X 30")**



**ULINE** CHICAGO • ATLANTA • DALLAS • LOS ANGELES • MINNEAPOLIS • NYC/PHILA

**1-800-295-5510**

uline.com