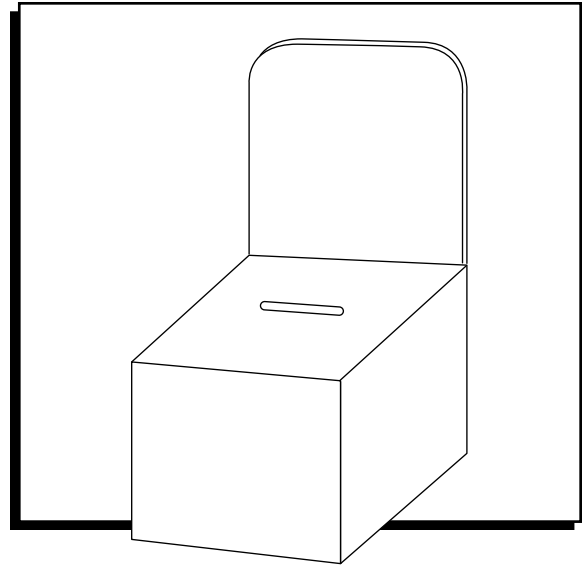


**ULINE** S-5188, S-9924

1-800-295-5510

**CORRUGATED  
BALLOT BOXES**

uline.com



## ASSEMBLY

1. Fold the bottom flaps in following the numbers 1-4. (See Figure 1) After folding flap 4, allow all flaps to spring back into locked position.
2. Stand the box upright and fold in the top side flaps. Close the lid. (See Figure 2)
3. Fold the locking tab into corresponding slot. (See Figure 2, Inset A)
4. If optional header is used, insert the headers into appropriate slots. (See Figure 3)

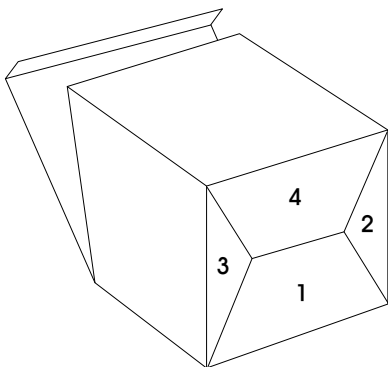


Figure 1

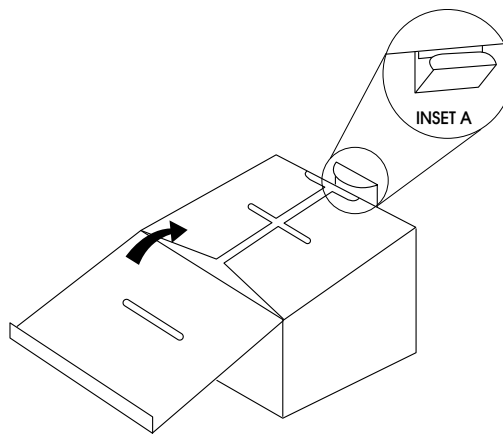


Figure 2

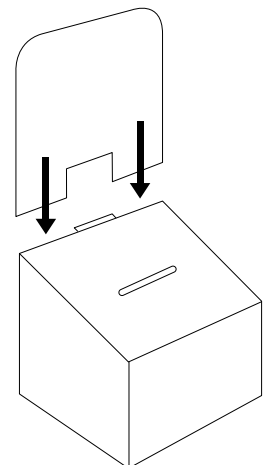


Figure 3