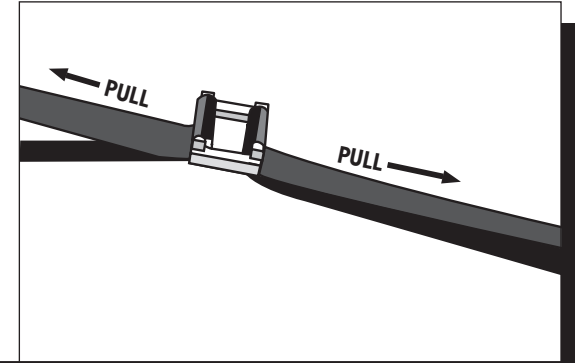
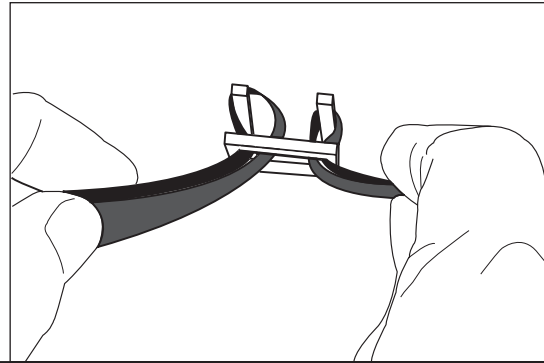
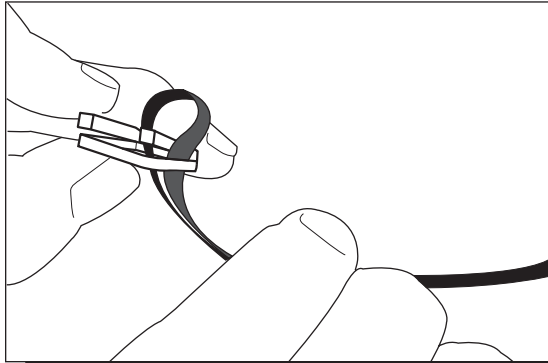


ULINE S-257, S-3823 & S-3824 PLASTIC BUCKLES

INSTRUCTIONS FOR THREADING PLASTIC BUCKLES

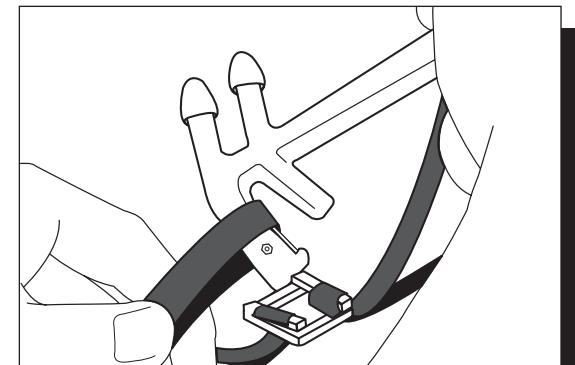
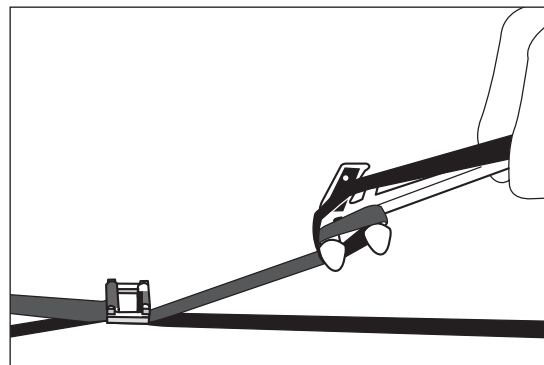
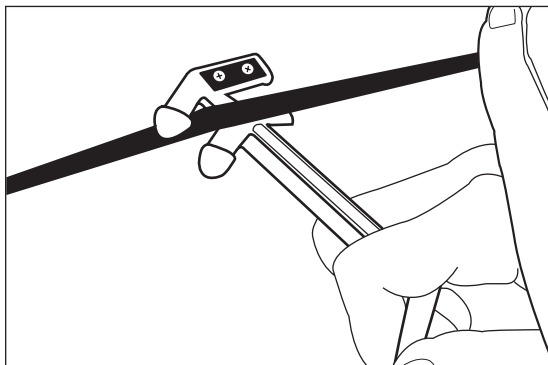


1 Insert end of strapping up through center of the buckle and around open leg to form a loop. Pull top tight around leg.

2 Wrap strapping around package. Loop strapping around remaining open leg of buckle. Pull loop tight around leg.

3 Pull both top ends of strapping in the opposite direction to manually tighten.

INSTRUCTIONS FOR USING TENSIONER/CUTTER TOOL



1 Place strapping between tensioner rods.

2 Raising the handle, rotate tool 360°. Pull tool to desired level of tension.

3 Use blade side of tool to cut away excess strapping.