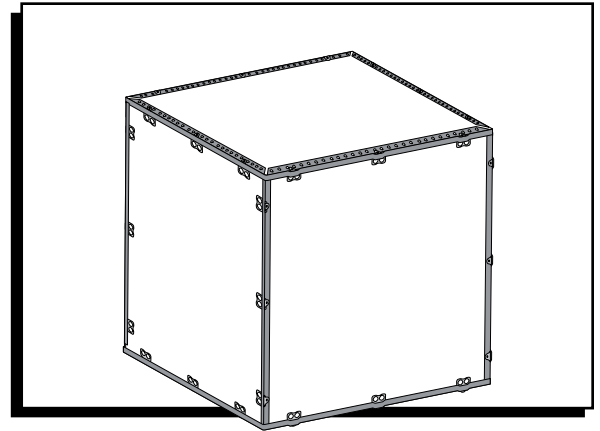
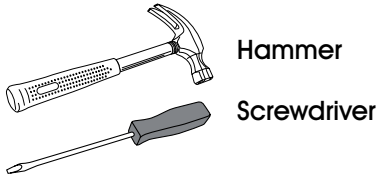
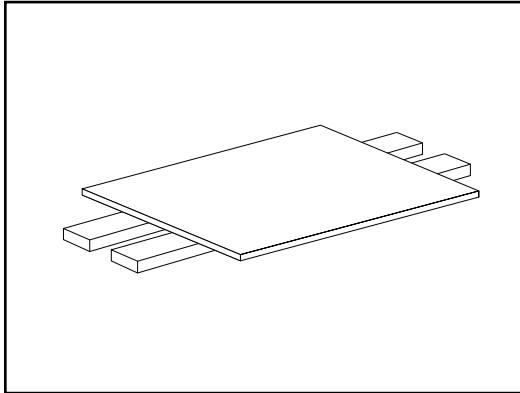


TOOLS NEEDED

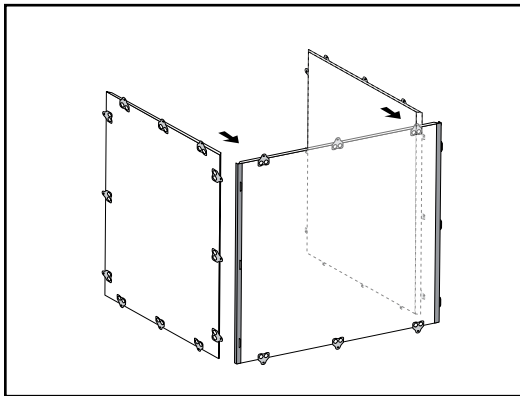


ASSEMBLY

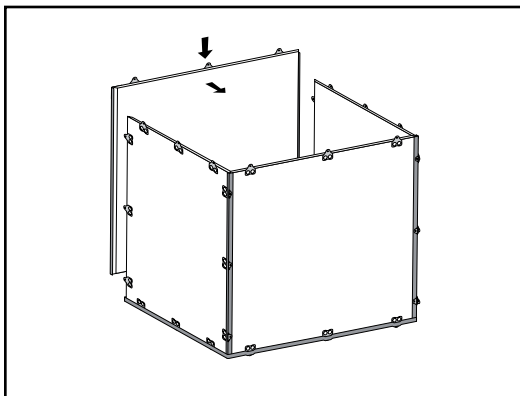
1. Elevate base so that tabs can be inserted without damage.



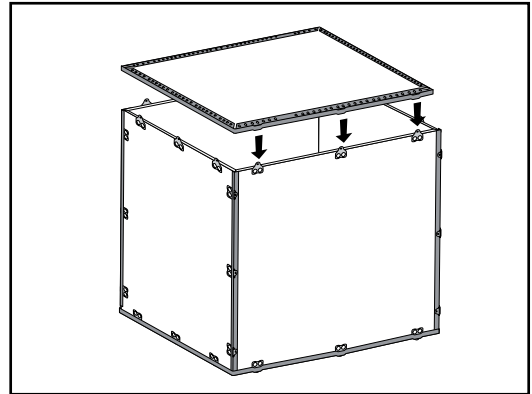
2. Attach 2 long panels to one short panel.



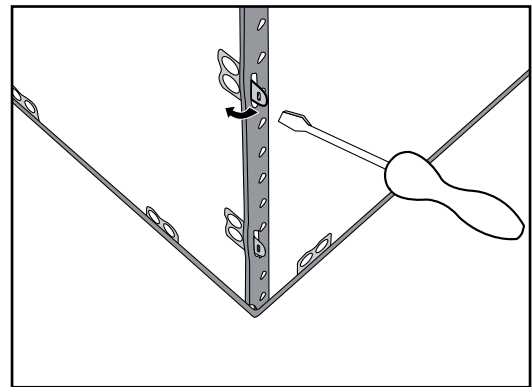
3. Attach final short panel to 2 long panels.



4. Ensure all panels are level, then place base on top.



5. Bend back base tabs using a screwdriver or a hammer.



6. Flip crate over onto base, ensure panels are level, then place lid on top. Bend back remaining tabs.

