

INSTRUCTIONS FOR BIN BOTTOM

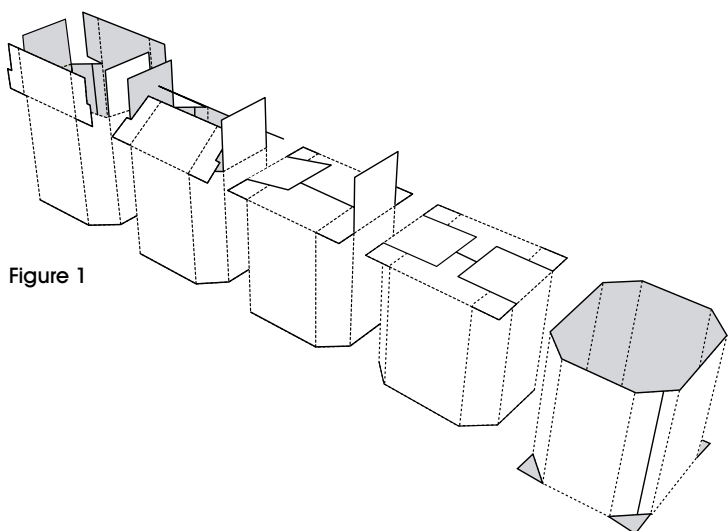


Figure 1

1. Begin by "pre-breaking" (folding) all vertical scores.
2. Stand the bin on end with the flaps on top. (See Figure 1)
3. Fold the two largest flaps in toward each other until the ends meet. Align the edges and press flat.
4. Fold the smaller flaps over. Align the smaller flaps within the notches of the larger flaps.
5. Finally, holding one of the smaller flaps down with one hand, flip the bin over so the flaps are on the bottom. Bin is ready for filling.

INSTRUCTIONS FOR BIN LID

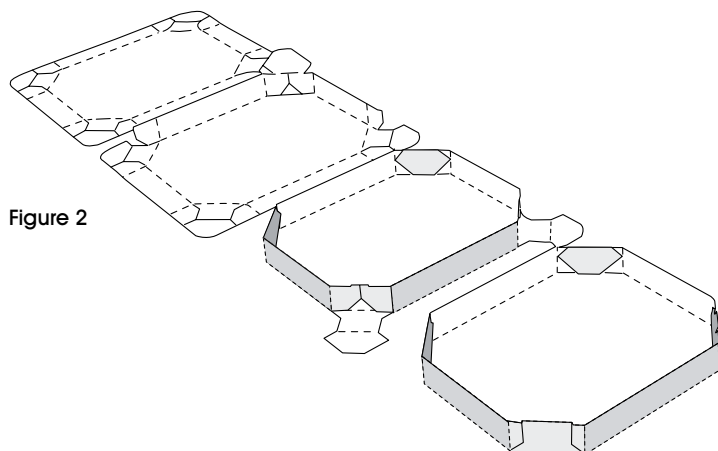


Figure 2

1. Begin by "pre-breaking" (folding) all scores.
2. Fold up all four sides, folding ends in to form the angled corners. (See Figure 2)
3. Fold corner flaps up and over the adjoining end flaps and tuck into slit. Lid is complete.