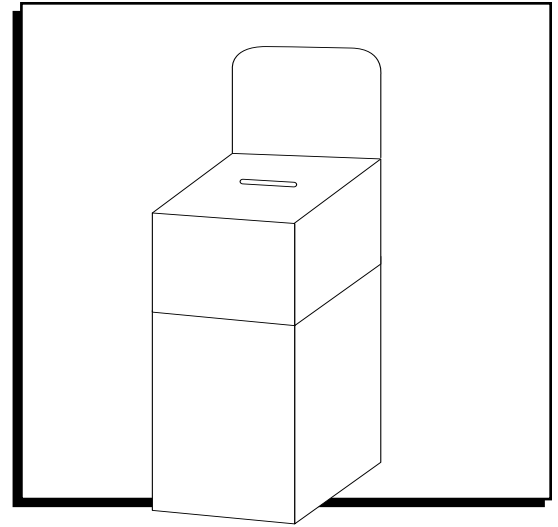


ULINE S-11327
FLOOR STANDING
BALLOT BOX

1-800-295-5510
uline.com



ASSEMBLY

1. Fold the bottom flaps in following the numbers 1-4. (See Figure 1) After folding flap 4, allow all flaps to spring back into locked position.
2. Stand the box upright and fold in the top side flaps. Close the lid. (See Figure 2)
3. Fold the locking tab into corresponding slot. (See Figure 2, Inset A)
4. If optional header is used, insert the header into appropriate slots. (See Figure 3)
5. Pop open the base and fold the flaps under with tabs on base at top. (See Figure 4)
6. Place ballot box onto base and lock the tabs. (See Figure 5)

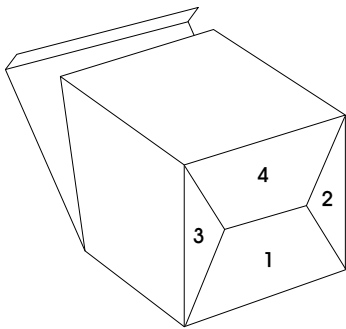


Figure 1

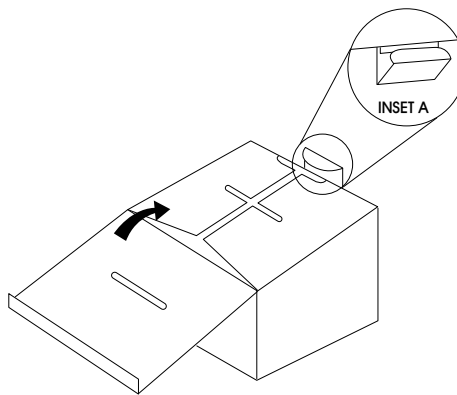


Figure 2

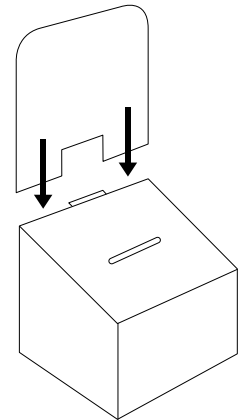


Figure 3

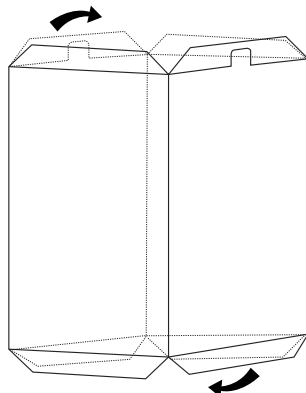


Figure 4

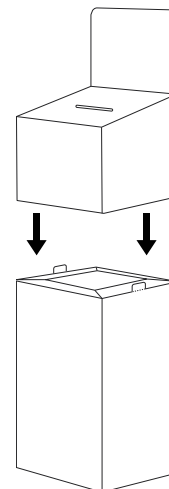


Figure 5