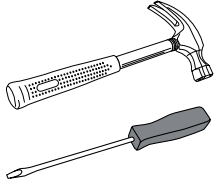


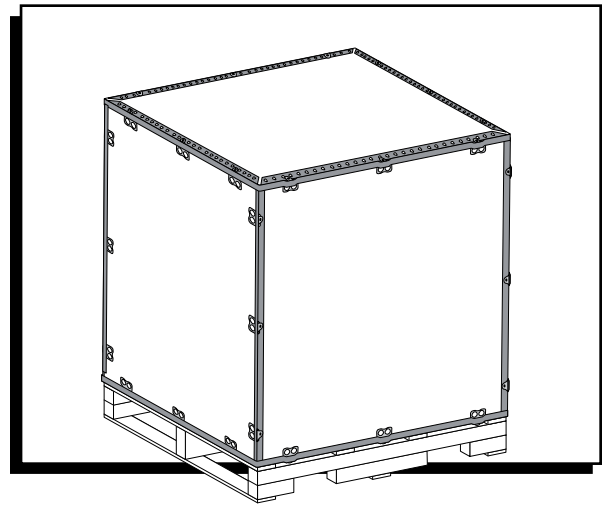
WOOD CRATES

TOOLS NEEDED



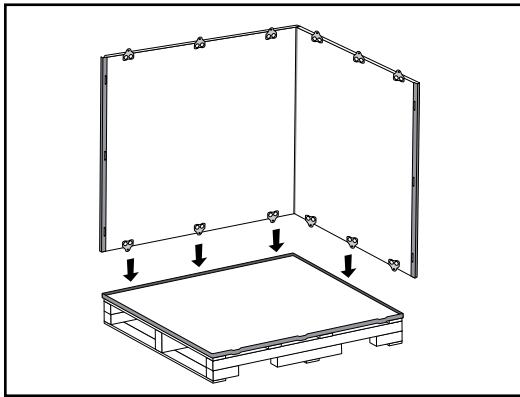
Hammer

Screwdriver

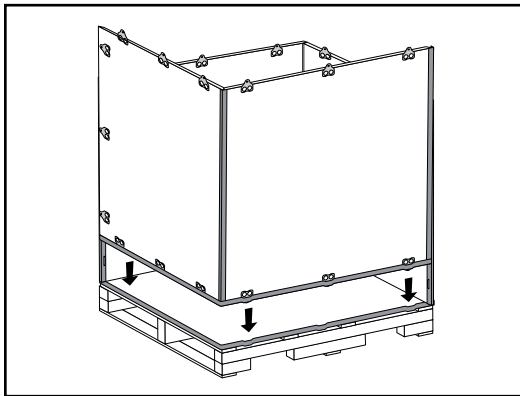


ASSEMBLY

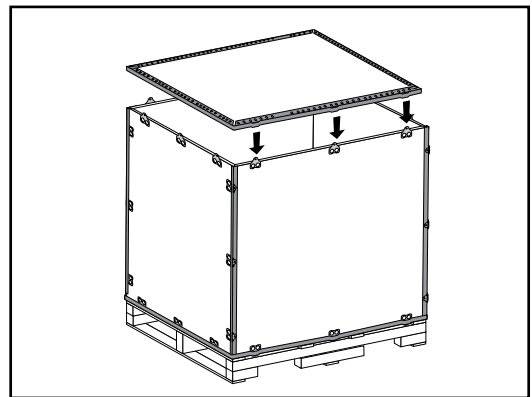
1. Unfold panel and secure to base.



2. Unfold second panel and secure to base and first panel.



3. Ensure all panels are level, then place lid on top.



4. Bend back all tabs using screwdriver or a hammer.

