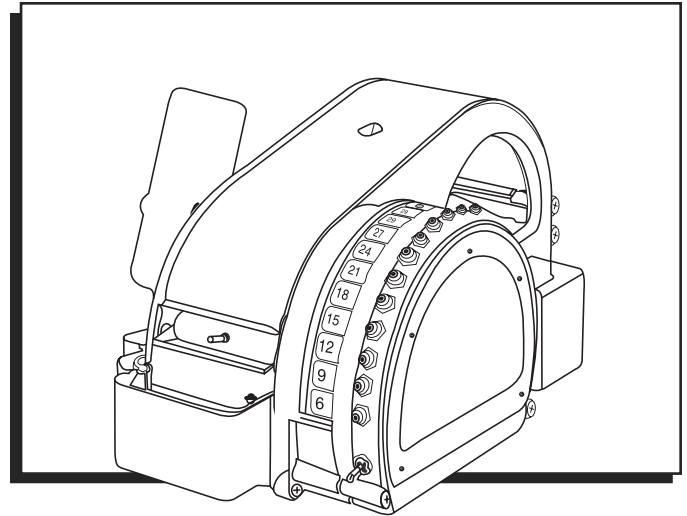


ULINE H-803
NPS ELECTRONIC
KRAFT TAPE DISPENSER

1-800-295-5510
 uline.com



INSTRUCTIONS

INSTALLATION

1. Remove the bottle and water tank.
2. Soak the brushes thoroughly in water.
3. Replace the brushes in the tank with the high side of the brushes toward the front.
4. Fill the tank half way and place it in the machine. Be sure the tank is pushed in all the way and latches into place.
5. Fill the bottle and place it so the mouth rests on the top step in the tank extension. If the tape gets too wet for fast adhesion to the carton, lower the bottle one step.
6. Plug in the heater. Plug the power cord into a grounded 110v, 60hz AC outlet.

LOADING INSTRUCTIONS

1. Insert tape into rear compartment.
2. Set the guide plates in the proper slots to hold the tape in the center of the machine.
3. Thread the tape over the grooved roller and under the feed plate, making sure the tape is inserted beyond the feed rolls.

OPERATION

Various pre-set lengths from 6" to 39" are dispensed by using one of the 12 push buttons. For random lengths longer than 39" lift the toggle switch (below the buttons) until the length of tape desired is dispensed. Pressing down on this toggle switch will automatically repeat the last length dispensed.

SPECIAL LENGTHS

To dispense special lengths of tape:

1. Unplug machine from power source.
2. Remove gear cover (leave connector plugged in).
3. Move shorting jumper to set the desired length.

PINS	TAPE LENGTHS	INTERVALS
1st pair standard	6-39"	3"
2nd pair	6-50"	4"
3rd pair	12-78"	6"
4th pair	30-98"	6"
5th pair	15-40cm 50-100cm	5cm 1cm
6-8	Not Used	

MOISTENING

1. Keep the water tank full.
2. Different tapes require different levels of water and pressure to properly activate the adhesion. The H-803 has an adjustable moistening system.
3. Move the platen weight toward the end of the post to increase pressure on the tape.
4. Pressure is decreased by moving the weight back.

HEATER

1. The water tank is equipped with a thermostatically controlled heater. This plugs into the electrical outlet on the left side of the machine. The heater is on when the machine is plugged in.
2. Turn off the power and unplug the heater when removing the water tank.