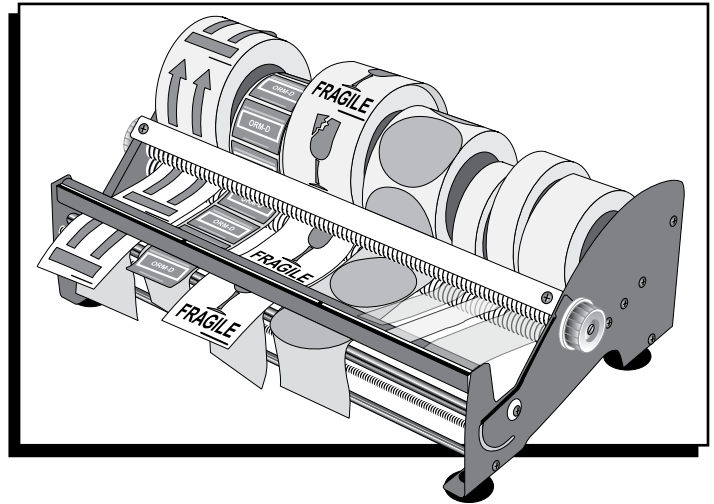


ULINE H-675
H-676
**TAPE AND LABEL
DISPENSER**

1-800-295-5510
uline.com

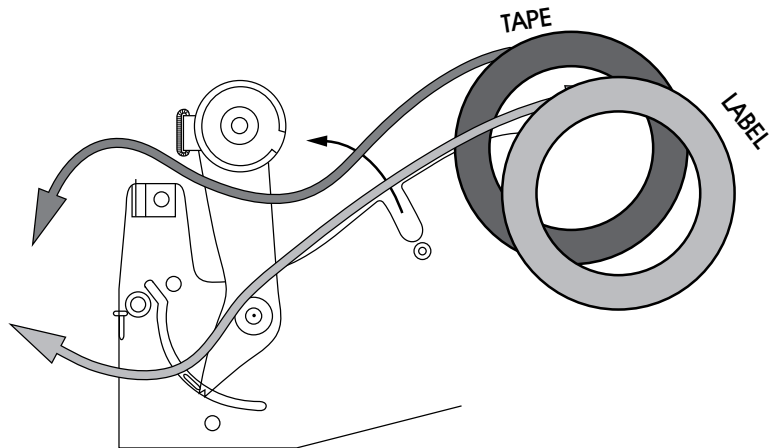


OPERATING INSTRUCTIONS

1. Unlock Load-and-Lock bar by rotating both plastic knobs forward.
2. Pull Load-and-Lock bar until in full forward position.
3. Set rolls of tape and/or labels on base rollers so adhesive side faces down.

TAPE: Pull end of roll about 5" forward.

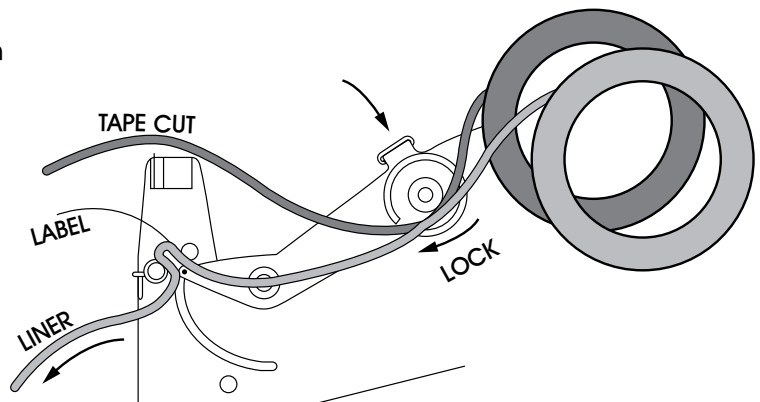
LABEL: Pull end of roll about 10" forward over bottom metal bars.



4. Install roll separators between rolls.
5. Push Load-and-Lock bar back into original position and rotate plastic knobs backward to lock.

TAPE: Pull end to cutting bridge.

LABEL: Pull end forward slowly to dispense label from liner.



ULINE CHICAGO • ATLANTA • DALLAS • LOS ANGELES • MINNEAPOLIS • NYC/PHILA

1-800-295-5510

uline.com