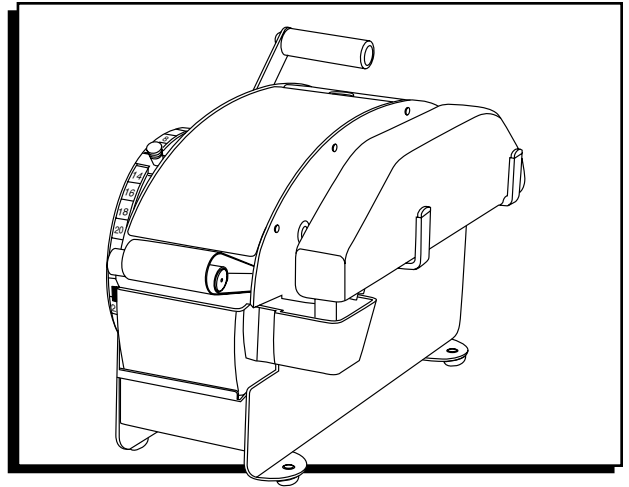


**ULINE** H-35  
MANUAL TAPE  
DISPENSER

1-800-295-5510  
uline.com



## OPERATION

### TAPE PLATE

1. Reposition upper tape plate if it has been dislodged in shipping: Align plate so slots face the front of the dispenser. Slide plate under the feed wheel from behind. Slide forward until the cut-outs fit over the retaining buttons. Drop plate flat and slide forward until back end fits under the retaining buttons.

### BRUSHES AND WATER BOTTLE

1. Wash brushes with soap or mild detergent. Place brushes in reservoir so bristles angle toward front of dispenser. Fit reservoir into front opening on dispenser. Make sure reservoir fits behind the lip on the dispenser reservoir shelf.
2. Fill bottle with water. Place bottle in holder so spout fits into the reservoir. Adjust water level with setscrew if needed.

### LOADING TAPE

1. Adjust roll guides to proper width for tape.
2. Unroll about 18 inches from the tape roll. Place roll in basket so tape unwinds from the rear with gummed side down. Thread the tape over the rear roller and slide edge under the upper tape plate and feed wheel. Close front and rear covers.
3. Pull lever to dispense tape.

### TAPE LENGTH

1. Set tape length with the feed stop. To operate, pull spring-loaded stop up and place at desired length on the lever gauge.

