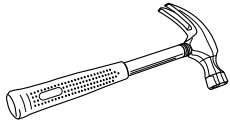


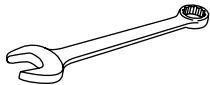
**ULINE** H-1924  
**FOUR DECK  
PAPER CUTTER**

1-800-295-5510  
uline.com

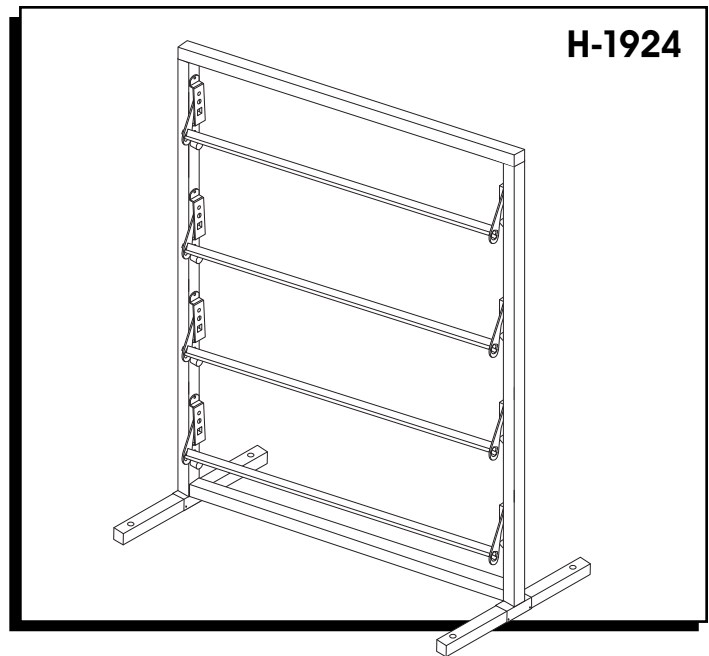
**TOOLS NEEDED**



Hammer



7/16" Wrench x2



**ASSEMBLY INSTRUCTIONS**

**FRAME ASSEMBLY**

1. Place upright, top cross tube, assembled upright and bottom cross tube on a table making a rectangle. (See Figure 1)
2. Fasten bolt with washer and lock washer with nut at each top end of the frame. (See Figure 1)
3. Fasten a foot to the bottom cross tube and upright using two bolts with one lock washer, one nut and one flat washer each. (See Figure 1)
4. Repeat Step 3 by fastening the other foot to the bottom cross tube and the assembled upright. Tighten all nuts and bolts.
5. Lay the frame on the upright side. (The side without housing assembly on it.)
6. Insert a blade in the hole of a right arm on the assembled upright tube. (See Figures 1 and 3)
7. Insert the left end of the blade in the hole of the left arm. (See Figures 2 and 3)
8. Attach the housing and dowel socket assembly to the appropriate position on the upright with two drive rivets. (See Figure 3)
9. Repeat steps 6-8 for the remaining stations.

**HOUSING AND DOWEL ASSEMBLY**

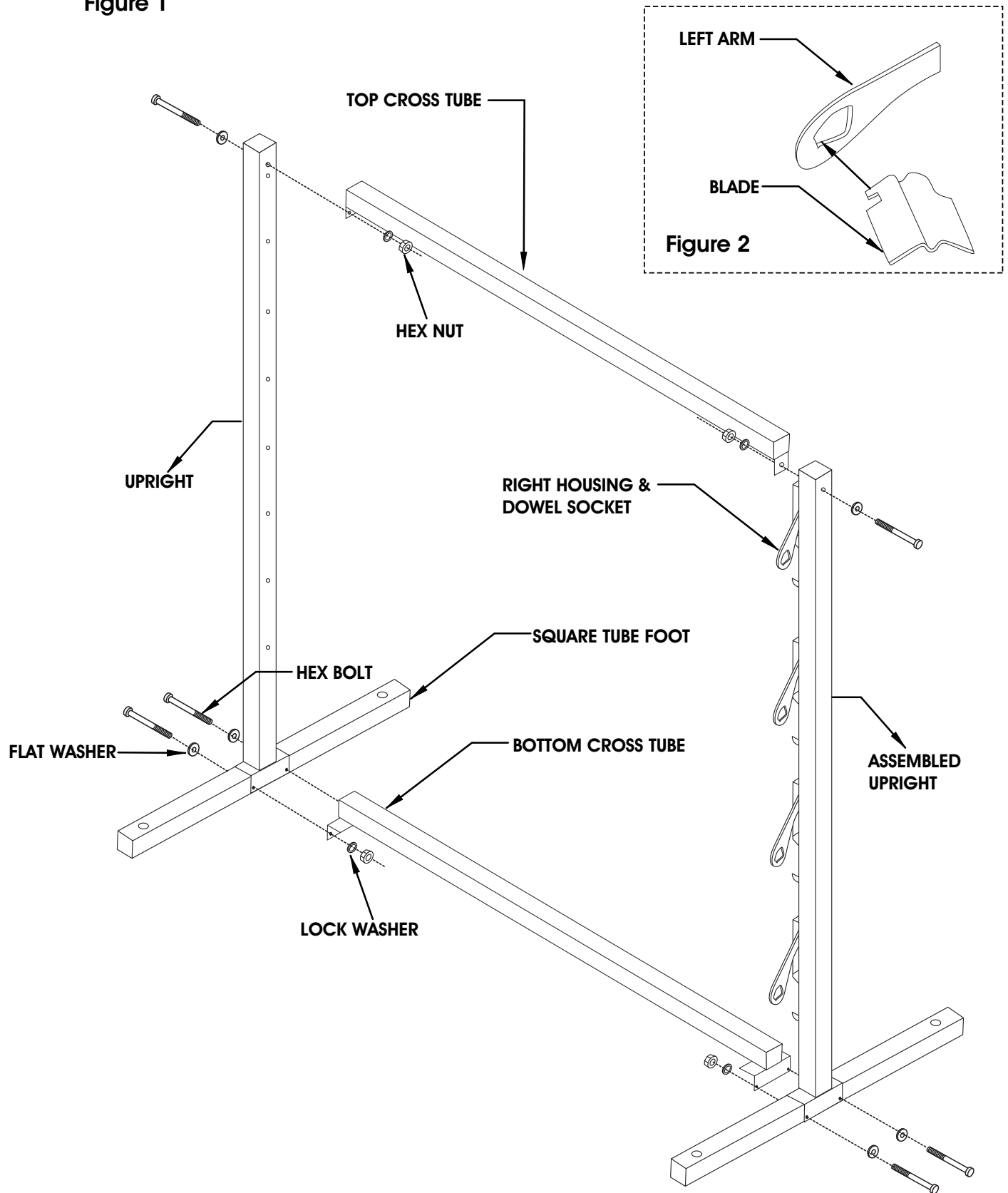


**NOTE: Do not open the arm on the housing assembly prior to mounting the housing assembly.**

1. Put both rivets through holes in housing and square tubing as shown.
2. Hold second rivet and housing with one hand. Hit the first rivet with a hammer until the pin is flush with the head of the rivet.
3. Hold the housing with one hand and hit the second rivet with a hammer until the pin is flush with the head of the rivet.

# ASSEMBLY INSTRUCTIONS (CONTINUED)

Figure 1



# ASSEMBLY INSTRUCTIONS (CONTINUED)

Figure 3

