

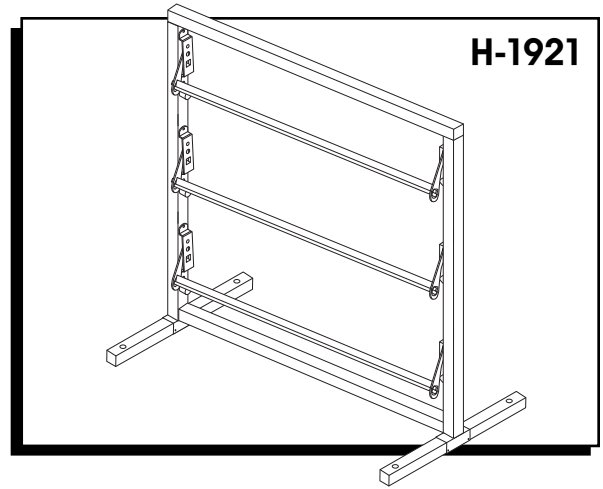


H-1921, H-1922, H-1923
H-412, H-413

1-800-295-5510

uline.com

MULTI-DECK PAPER CUTTER



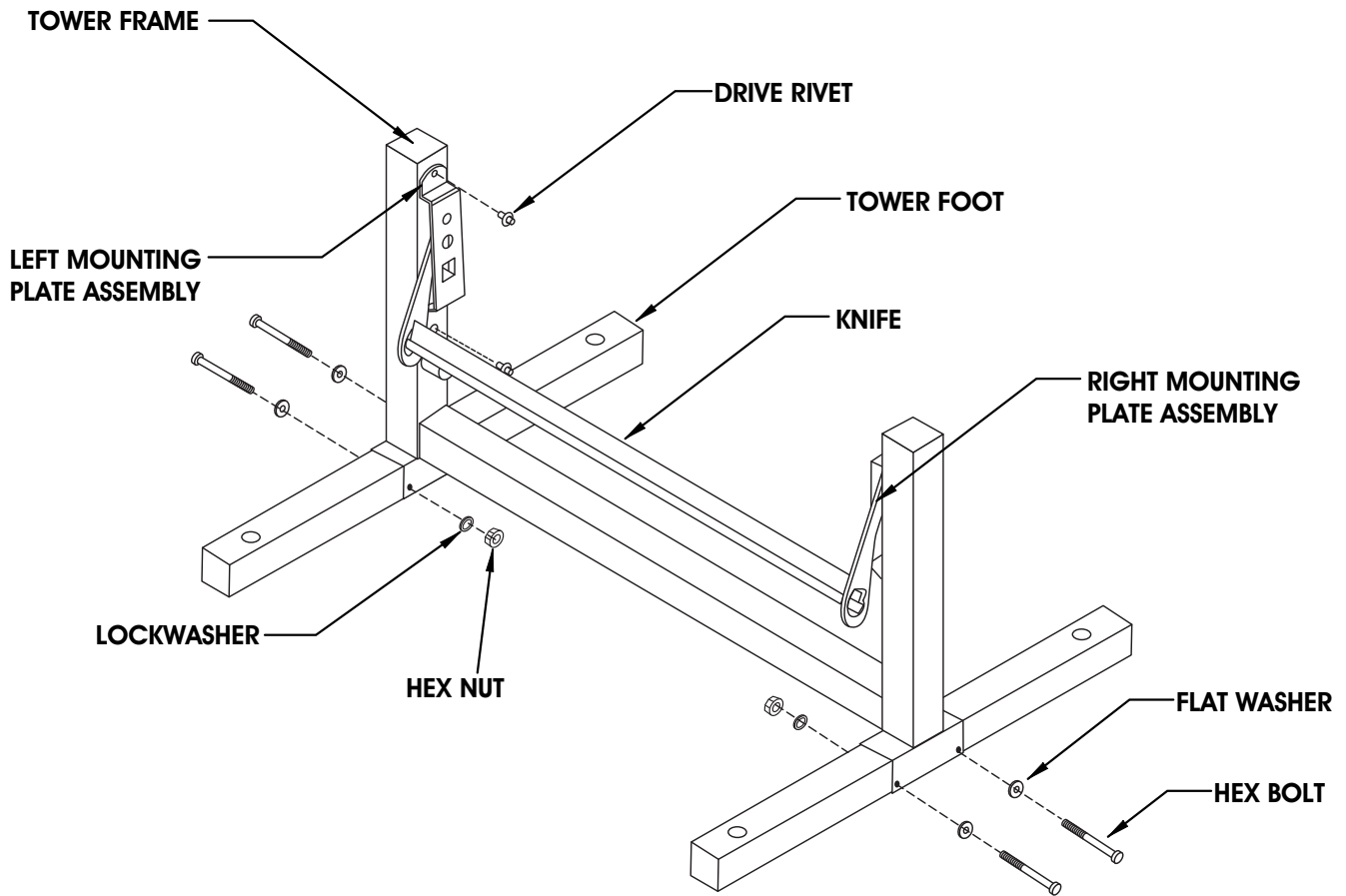
TOOLS NEEDED



7/16" Wrench

ASSEMBLY INSTRUCTIONS

1. Fasten the two feet onto the frame of the tower as shown in the illustration below by using four bolts, nuts, washers, and lockwashers.
2. Rest the wooden dowels in the dowel sockets.



CHICAGO • ATLANTA • DALLAS • LOS ANGELES • MINNEAPOLIS • NYC/PHILA

1-800-295-5510

uline.com

0708 IH-1921