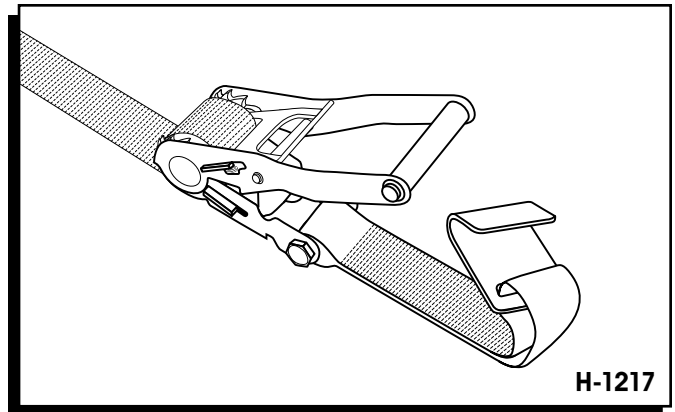


ULINE**RATCHET TIE-DOWNS**

1-800-295-5510


uline.com



H-1217

USAGE INSTRUCTIONS

1. Fully engage end hooks so that a secure tie down point rests against the base (Bearing Point) of the hook. Never load tip of hook.

 **NOTE: Handle must always be in line with direction of pull to achieve Working Load Limit. (See Figure 1)**

2. Insert free end of strap through mandrel slot in ratchet and pull through until strap is snug around the load. (See Figure 2)

3. If handle is closed and locked, pull on the Lock Release Handle to disengage. (See Figure 3) Then tighten strap by pumping the handle until strap is tight. (See Figure 4)

 **NOTE: A minimum of two wraps of webbing around the mandrel is required.**

4. Lock ratchet assembly by pulling on Lock Release Handle and pushing main handle until fully closed.
5. To release tension or remove tiedown, pull on Lock Release Handle and rotate main handle 180° to lock in the open position. Mandrel will be free to turn and release webbing. (See Figure 5)

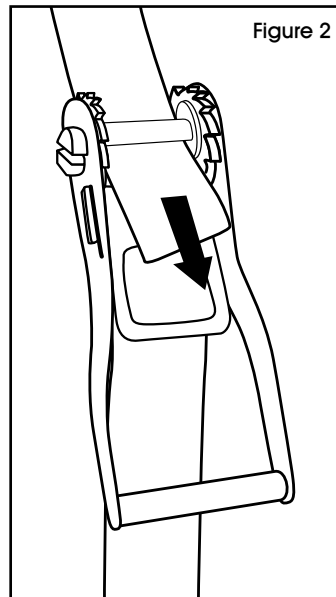


Figure 2

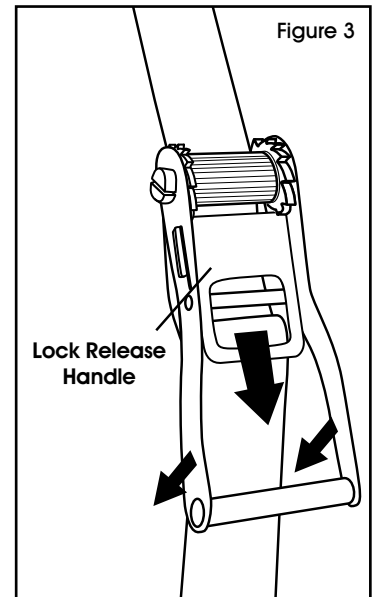


Figure 3

Lock Release Handle

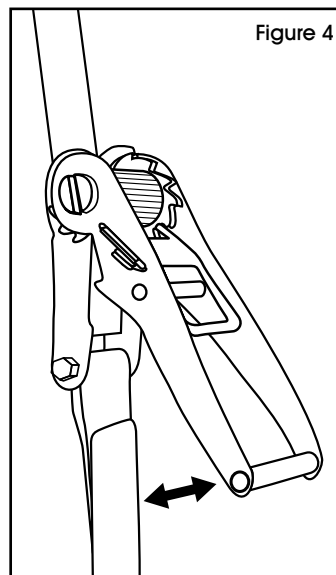


Figure 4

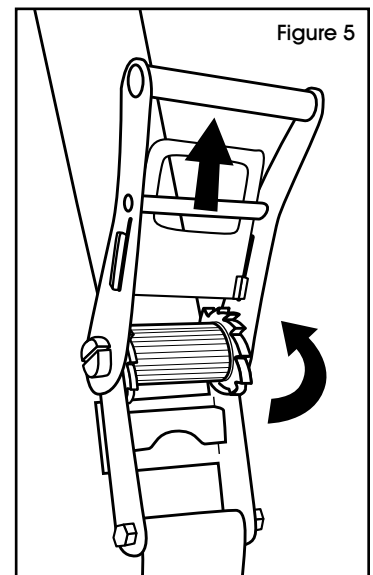


Figure 5

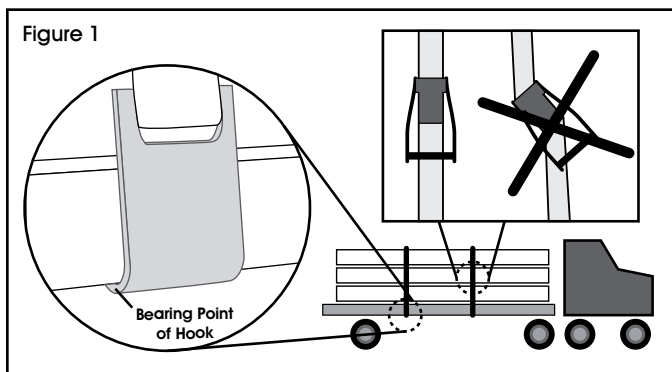


Figure 1

ULINE CHICAGO • ATLANTA • DALLAS • LOS ANGELES • MINNEAPOLIS • NYC/PHILA

1-800-295-5510

uline.com

0609 IH-1217